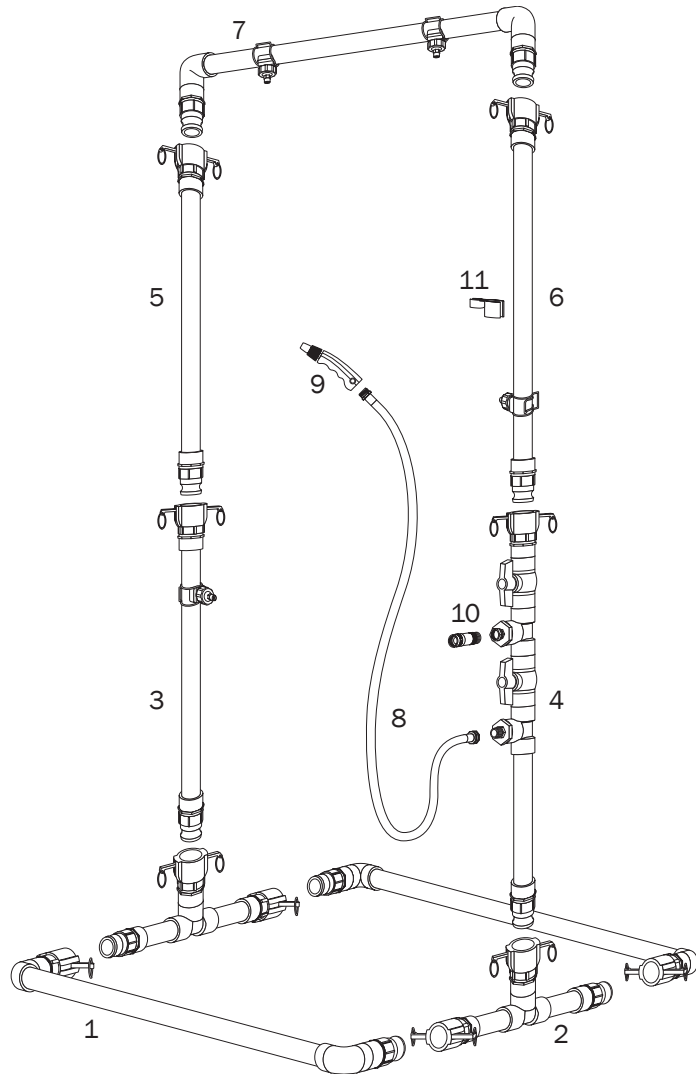


PART CODE _____

For shower warranty

Quick Response™ Decon Shower

HM3000C



Shower Assembly

- A. Remove, inspect, and count all parts (see Parts List below).
- B. Assemble base by connecting the two U-Bases (#1) to the Upright Couplings (#2).
- C. Insert Bottom Spray Upright (#3) and Valve Upright (#4) into Upright Couplings (#2) as shown.
- D. Attach Upright (#5) to Bottom Spray Upright (#3) and Top Spray Upright (#6) to the Valve Upright (#4).
- E. Top (#7) can then be connected. Position shower heads as desired.
- F. Connect Shower Hose (#8) with Handheld Spray Nozzle (#9) to bottom outlet of valve assembly. Screw in Pressure Reducing Valve (#10) to top outlet of valve assembly.
- G. Attach the Handheld Hose Hanger (#11) onto Top Spray Upright (#6) above the valve assembly. Press firmly until hanger clamps around the pipe.

Parts List

Replacement parts are available and contact DQE to order.

PART NAME	QTY	PART NUMBER
1. Bottom U-Base	2	HMPT3000C4
2. Upright Coupling	2	HMPT3000C5
3. Bottom Spray Upright (blue tape)	1	HMPT3000C6
4. Valve Upright (blue tape)	1	HMPT3000C3
5. Upright (red tape)	1	HMPT3000C2
6. Top Spray Upright (red tape)	1	HMPT3000C7
7. Top	1	HMPT3000C1
8. Shower Hose	1	HOSEBLUE
9. Handheld Spray Nozzle	1	2416-20
10. Pressure Reducing Valve	1	G-9227
11. Handheld Hose Hanger	1	HMPT10017
12. Vinyl Carry Bag (not shown)	1	BAGQR
13. Stakes (not shown)	2	HMPTSTAKE
14. Straps (not shown)	2	HMPTSTRAP

Quick Response™ Decon Shower HM3000C

Shower Operation

- A. Turn water supply on. Upper valve should be in the open (parallel to pipe) position and lower handheld sprayer valve should be closed. It takes approximately 1 minute for full spray pattern to be achieved.
- B. Check aim of shower heads and use shower according to your standard operating procedures.
- C. The handheld unit can be used by opening the lower valve. It can be used with or without the rest of the showers heads running.
- D. After use, the shower should be fully decontaminated using your standard operating procedures and in full compliance with state and federal regulations. The shower should be inspected for damage or missing parts and completely dry before storage. Store in vinyl carry bag in moderate environmental conditions out of direct sunlight or exposure to ozone.

Effective Spray Pattern

- A. The most effective spray pattern creates a virtual wall of water by overlapping the fan-shaped spray and keeping the spray in a vertical plane with the upright portion of the shower.
- B. All shower heads should be aimed so that the centers of the fans are at approximately the center point of the average user's body as they stand in the shower.
- C. The optimum spray pattern is attained when at least 15 gpm (30-50 psi) of water is supplied to the shower inlet.

Shower Inspection and Maintenance

- A. As with all emergency equipment, you should develop an inspection program that assures the shower's suitability for use in an incident.
- B. Program should include deploying, visually inspecting, and operating the shower at least every 3 months. All problems should be immediately corrected.
- C. Maintenance on this shower is minimal. The inspection program should reveal any problems with quick connects or hose connections. These may include worn or missing O-Rings, broken cam locks or leaking joints. Contact DQE for replacement part needs.
- D. Occasional coatings of silicone based lubricant on the quick connect surfaces and cam locks will ensure they function smoothly.

High Winds

- A. When the Quick Response Shower is being used outdoors in windy weather, it is best to operate the shower for a short time in order to fill the lower section with water. The weight of the water helps secure the shower to the ground.
- B. When wind speeds exceed 20 mph, it may be necessary to use the enclosed straps and stakes as a secondary means to secure the shower to the ground.

Instructions for Strap Use:

- C. Set shower up so that the pathway through the shower is perpendicular to the wind.
- D. Wrap straps around top pipes on both sides and feed one end of strap through the loop at the other end. Cinch it tight.
- E. Extend strap out and secure the other end to the ground using the enclosed stake or other method.