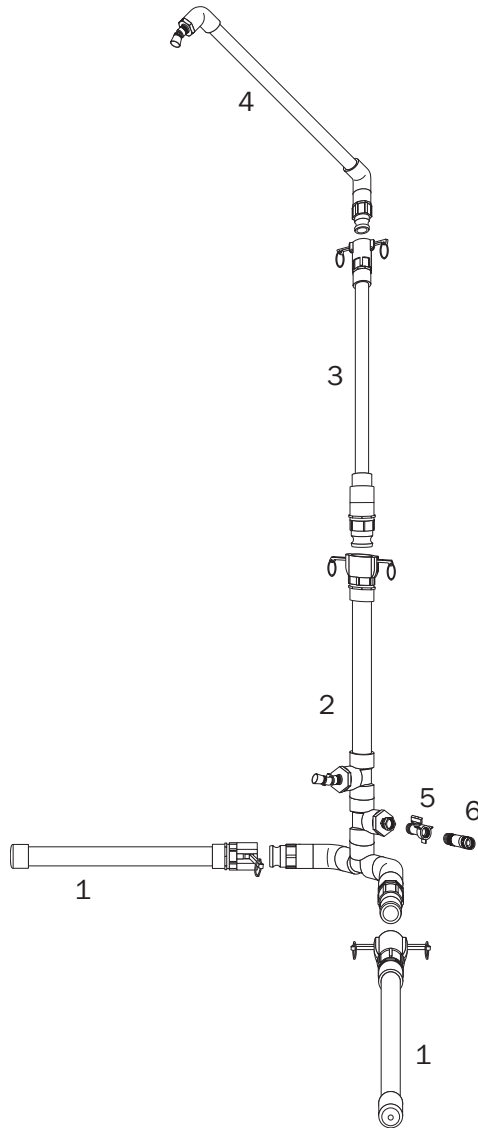


Decono[®] Shower HM2000



Shower Assembly

- A. Remove, inspect, and count all parts (see Parts List below).
- B. Assemble base by connecting the two Shower Support Legs (#1) to the Upright Valve Coupling (#2).
- C. Insert Vertical Upright (#3) into Upright Valve Coupling (#2).
- D. Insert Shower Head Attachment (#4) in Vertical Upright (#3) as shown.
- E. Attach water hose (garden hose fitting) to Brass Hose Shutoff (#5) at base of shower.
- F. If water supply is greater than 90 psi pressure, use the Pressure Reducing Valve (#6) between the water supply hose and the Brass Shutoff Valve (#5).

Parts List Replacement parts are available, contact DQE to order.

PART NAME	QTY	PART NUMBER
1. Shower Support Legs	2	HMPT20001
2. Upright Valve Coupling	1	HMPT20002
3. Vertical Upright	1	HMPT20003
4. Shower Head Attachment	1	HMPT20004
5. Brass Hose Shutoff	1	N115C
6. Water Pressure Regulator	1	HM212
7. Carry Bag (not shown)	1	BAGD

Storage

- A. After use, the shower should be fully decontaminated using your standard operating procedures and in full compliance with state and federal regulations.
- B. The shower should be inspected for damage or missing parts and should be completely dry before storage.
- C. Store in vinyl carry bag in moderate environmental conditions out of direct sunlight or exposure to ozone.

Caution: Regulate water temperature to avoid scalding.