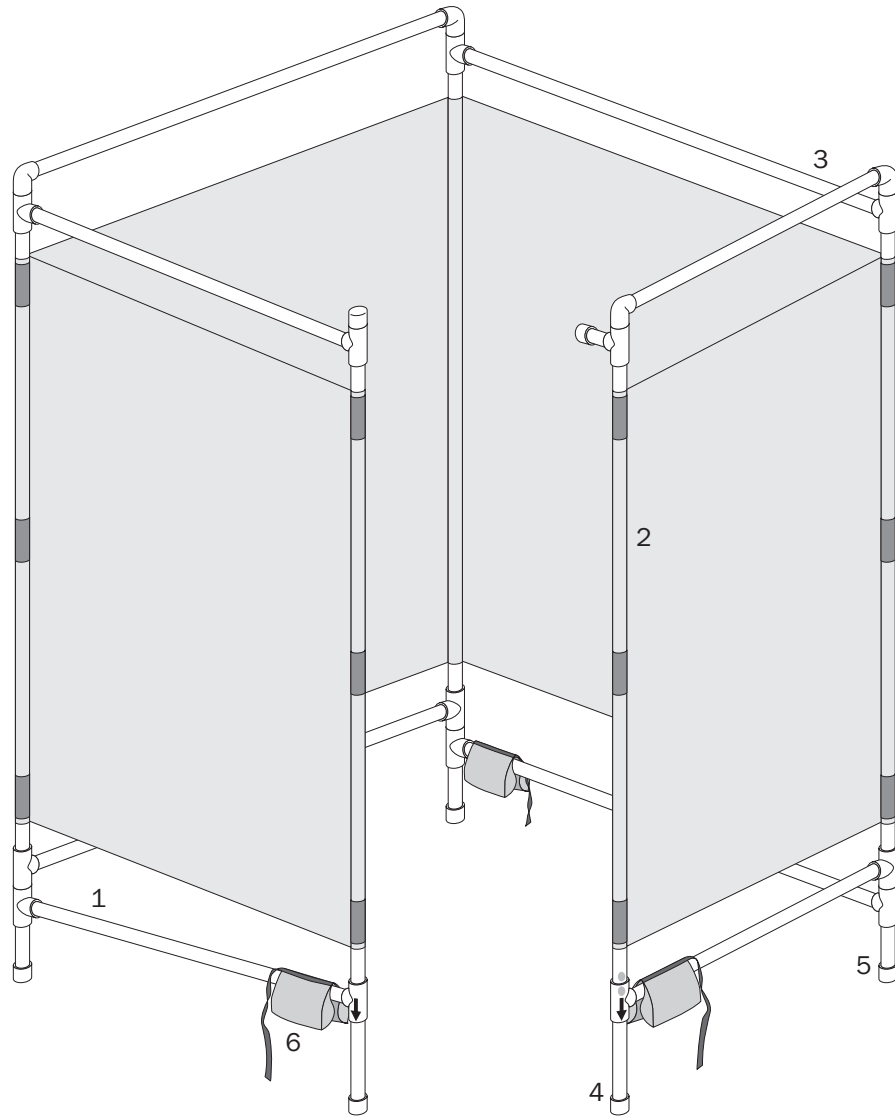
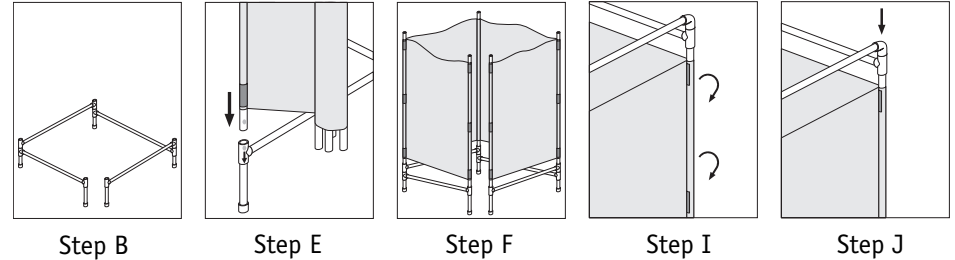


Privacy Cube *MC5022*



Privacy Cube Assembly Instructions



- A. Remove, inspect, and count all parts (see Parts List below).
- B. Unfold Bottom Frame (#1), forming a square. The arrows on the Bottom Frame (#1) should be pointing down and the red dot should be on the outside of the frame.
- C. Attach each Long Foot (#4) under the downward facing arrows along the Bottom Frame (#1).
- D. Attach each Short Foot (#5) in the other three holes of the Bottom Frame (#1).
- E. Insert the first post of the Screen Assembly (#2) into the Bottom Frame (#1), aligning the red dots on the post and the frame.
- F. Standing outside the cube, unrolling to the right, insert the Screen Assembly (#2) posts into the Bottom Frame (#1). When complete, all black clamps should be facing the outside.
- G. With assistance from another person, Unfold Top Frame (#3), inserting each corner into Screen Assembly Posts (#2).
- H. Rotate Clothes Hook (located on the Top Frame (#3)) to desired position.
- I. Adjust tension on screen, as needed, by turning the black clamps.
- J. Pull Top Frame (#3) downward at each corner to tighten connections. Gently use a rubber mallet if desired.
- K. Add Sandbags (#6) on the Bottom Frame (#1) to increase stability in windy conditions. Secure Stakes (#7) through sandbag straps, if needed.

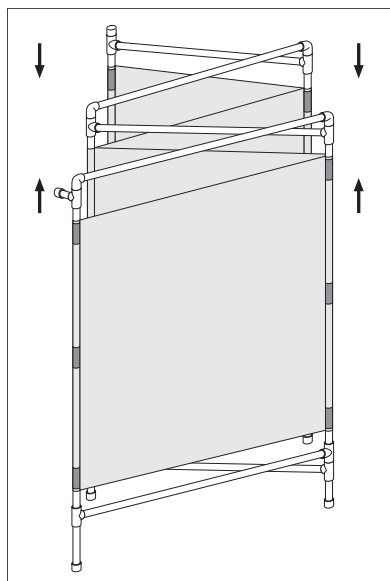
Parts List Replacement parts are available, contact DQE to order.

PART NAME	QTY	PART NUMBER
1. Bottom Frame	1	MCPT50221
2. Screen Assembly	1	MC5022RS
3. Top Frame	1	MCPT50223
4. Long Foot	2	MCPT50224
5. Short Foot	3	MCPT50225
6. Sandbag	3	HM1075
7. Stakes (not shown)	2	HMPTSTAKE
8. Carry Bag (not shown)	1	BAGCUBE

Privacy Cube *MC5022*

Storage

Leave the Privacy Cube assembled and fold panels flat or use a rubber mallet to disassemble.



Replacement Screens

Replacement Screen Assemblies (MC5022RS) are available to replace fabric. They come pre-rolled on Screen Assembly for quick and easy exchange.